

**SIZE up to
15,000V 500A**

INTRODUCTION

IMG offers a line of Medium Voltage Cable Coupler Systems designed and manufactured for use in various mining (OP/UG), tunneling, and sea port/shore operations to distribute power to mobile/portable, electric equipment. While maintaining current market standards, numerous design improvements have been integrated into the new coupler designs in order to increase safety, durability and reliability in the field.

PRODUCT FEATURES & BENEFITS

- Wedge type of Wire Termination ensures a secure contact and connection between wires and pin/socket contacts.
- Wire Spring Band on Female Sockets ensures a secure and lasting connection between male & female contacts.
- Stress Control Adapter Termination Kit is re-usable and provides air-free termination.
- Phase Insulators are made from rigid, thermoset material ensuring durability, heat resistance and high insulation properties.
- Cable Entrance assembly is designed to seal and clamp cable to coupler with one action.
- Optional 'Key Interlock' system is an additional optional feature in the 15kV systems that prevents coupler disconnection without prior switch house lock-out.
- Optional Safe Eye-Bolt System, ensures delay for pilot circuit separation prior to uncoupling thus reducing potential phase arcing.

PRODUCT OPTIONS

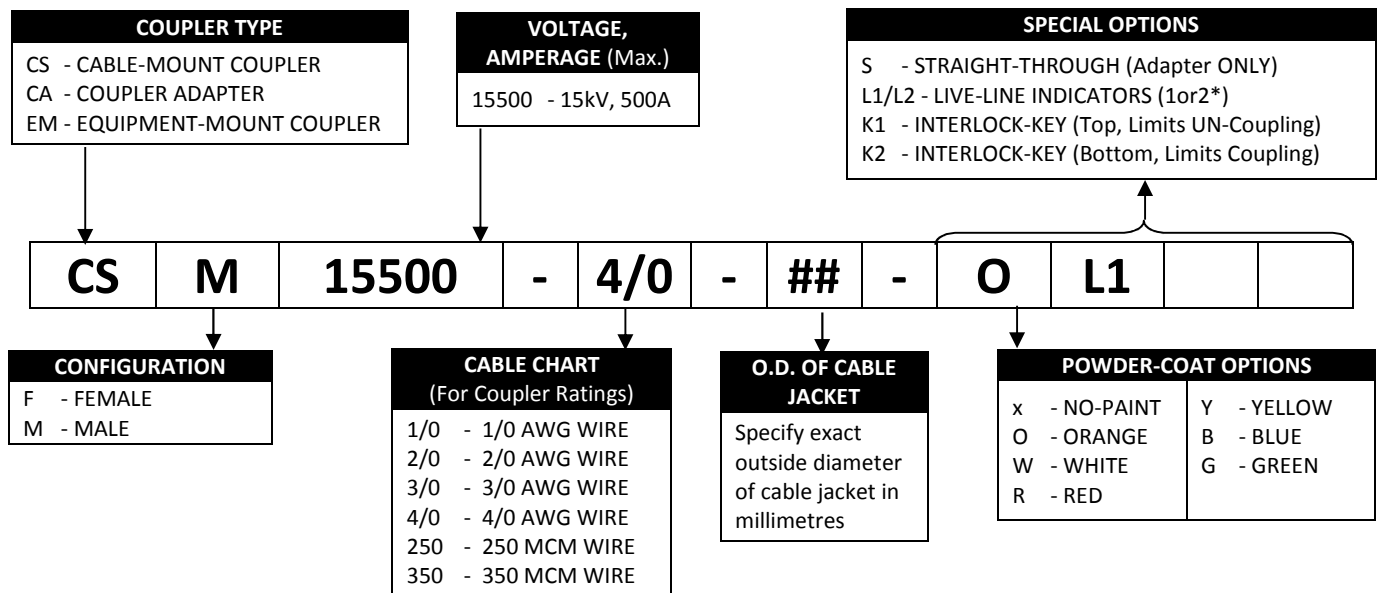
- Male-to-Female or Male-Adapter-Male versions available
- Durable, Powder-Coat Finish (various colors)
- LED Live-Line Indication System (tbd)
- Safe Eye-Bolt System
- Standard and/or Lock-out Key Interlock Systems
- Splitters & Adapter Bodies c/w Skid



PRODUCT SPECIFICATIONS

- Maximum voltage 15kV; maximum amperage 500A
- Standard ambient temperature: -40°C to +80°C (-40°F to +176°F)
- Standard body finish: High Strength AL Alloy
- Standard hardware: Stainless Steel / Brass
- Standard contacts: Silver-plated Copper/Brass
- Available in Cable Range from 42 - 185mm² (1 AWG – 350MCM)
- Reusable Termination Kit

COMPLETE COUPLER PART NUMBERING GUIDE



ORDERING PROCEDURE:

Determine the

- Maximum current Amps required
- Cable size (*please specify Manufacture and/or OD of Cable*)
- Required Male or Female contacts
- Cable or Equipment-mounting

Options for 15kV Couplers:

- Bare metal or Powder-coated (Select Color Code)
- Live-Line Indicator (tbd)
- Straight-Through or Rotated-Phases (Adapters)
- Fitted with Kirk-Key System

COUPLER DIMENSIONS & WEIGHTS

COUPLER PART NUMBER & DESCRIPTION (up to 4/0 AWG)	DIMENSIONS (mm)	WEIGHT (kg)	DIMENSIONS (in)	WEIGHT (lbs)
CSM15500 (Standard, Cable-Mount Coupler, Male contacts)	720 x 274mm	18kG	28.25" x 10.75"	39.7lbs
CSF15500 (Standard, Cable-Mount Coupler, Female contacts)	750 x 274mm	19kg	29.25" x 10.75"	41.9lbs
EMM15500 (Standard, Equipment-Mount Coupler, Male contacts)	423 x 274mm	11.5kg	14.53" x 10.75"	25.4lbs
EMF15500 (Standard, Equipment-Mount Coupler, Female contacts)	369 x 274mm	12.5kg	16.65" x 10.75"	27.6lbs